

St Edmund's Catholic Academy

Scope of the project:

Wharton Electronics Ltd were approached by St Edmund's Catholic Academy to supply a synchronised digital clock system to replace existing radio controlled clocks which did not operate reliably.

Customer usage and testimonial:

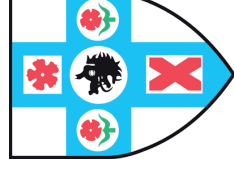
We approached several providers of LED clocks, explaining our requirements for the clocks. Wharton Electronics recommended a clock based on our requirements of where they were to be mounted; how we wished to power them; and how we wished to synchronise the time.

Wharton Electronics kindly provided a loan clock, which allowed us to evaluate the reliability of the clock, how robust they are and also confirm how easy they are to mount.

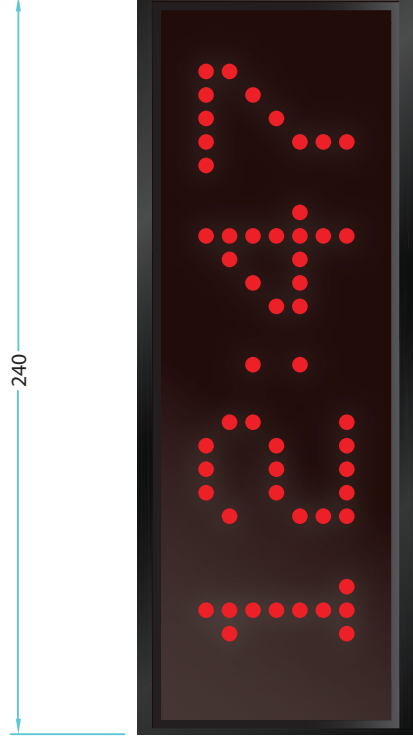
After confirming that the clocks were well made and suitable for our needs we placed an order for 56 clocks in total. All clocks are built to order, which provided us with adequate time to prepare for the installation of the clocks, which were delivery on time.

The clocks arrived well packaged and as described. The installation of the clocks is straight forward and as we opted for a PoE model, each clock only required a network cable and DHCP had been set to distribute out local NTP server."

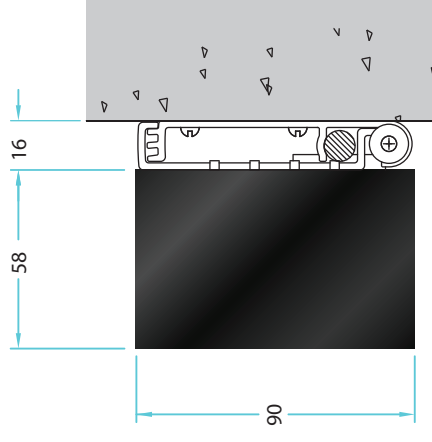
Mr M. Jones - ICT Manager



Front View:



Side View:



4200N.05.R.S.PoE Surface mounting digital clock & single / dual stopwatch display

Display: 50mm (2.0") Red Dot Matrix LED display
Case size: 240 x 90 x 58mm (9.4" x3.5" x 2.3") -
excluding wall mounting brackets